

Complete Solution for the  
Civil & Road Construction Machineries

# SELF LOADING CONCRETE MIXERS

CEV-STAGE - IV COMPLIANT



ARAI Approved





# SELF LOADING CONCRETE MIXERS

CEV-STAGE - IV COMPLIANT

Ultra Series is engineered and built to offer small, medium and corporate buyers a heavy duty machine for a reasonable price.



## ADVANCED CONTROL SYSTEM

Adjustable steering system  
made by COBO, ITALY



## REVERSIBLE OPERATOR POST

Providing good visibility while  
driving, loading and discharging



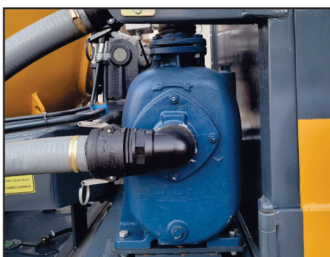
## DIGITAL WEIGH BATCHING & LCD

With Inbuilt Printer to track  
batch report



## REAR VIEW CAMERA

Rear camera with 6 inches  
LCD screen



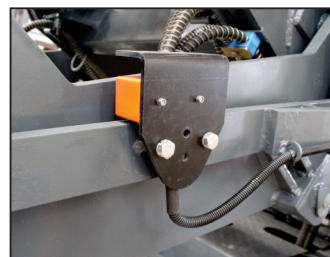
## ANTI-RUST WATER PUMP

Made by Kirloskar



## GPS & HEALTH MONITORING SYSTEMS

Track your vehicle movement



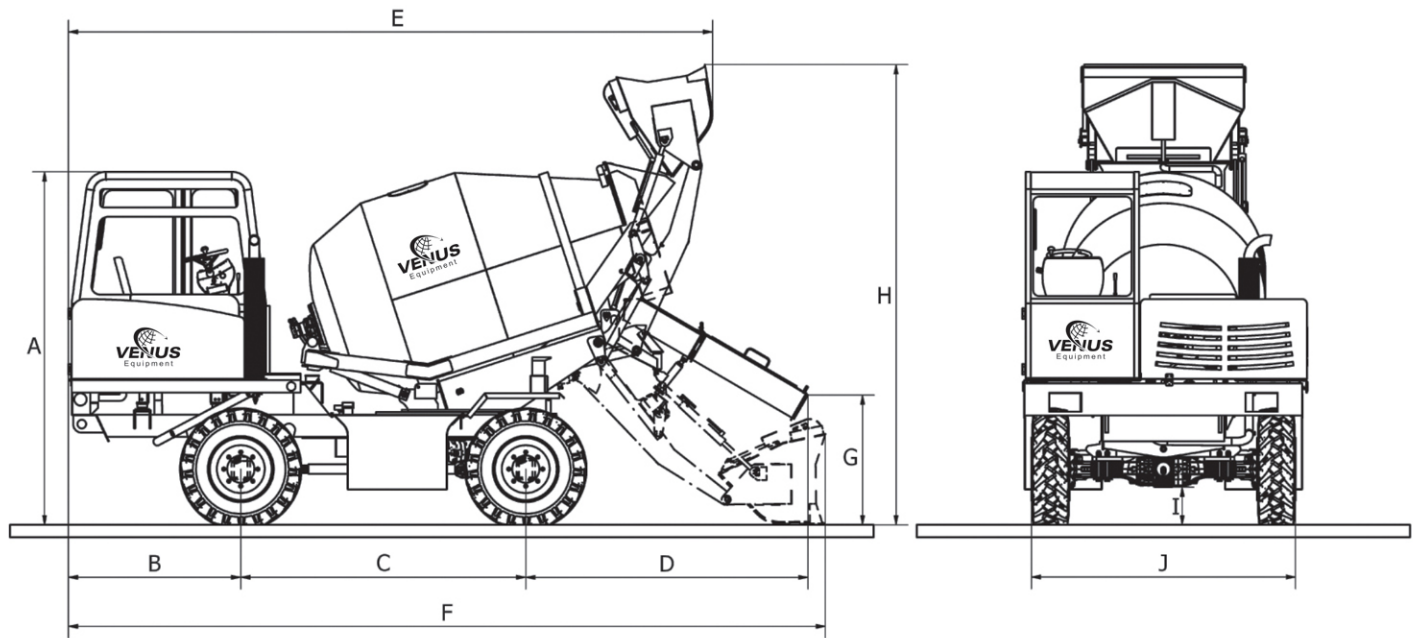
## WEIGHING SYSTEM

To calculate accurate weight  
per batch



## CLOSE BUCKET

Hydraulic cylinder operated gate  
to load the material in drum  
without spillage



## Dimensions

Model	A	B	C	D	E	F	G	H	I	J
ULTRA 2.0	2850	1350	2050	2345	4885	6080	840	3295	295	2065
ULTRA 3.0	2860	1400	2310	2290	5220	6135	1055	3730	305	2140
ULTRA 4.0	2920	1470	2625	2450	5740	6795	1400	4185	380	2390

## Technical Specifications

MODEL	ULTRA 2.0	ULTRA 3.0	ULTRA 4.0
<b>SLM MODEL</b>	ULTRA 2.0 4WD	ULTRA 3.0 4WD	ULTRA 4.0 4WD
Engine Model	KOEL 4R 810 NA BSIII	KOEL 4R 1190 NA BS IV	KOEL 4R 1190 TA BS IV
Engine Capacity / RPM	49.5 HP/2200	74.5 HP/2200	110 HP/2200
Drum Unit (Geometrical Volume)	2700 CUM	4000 CUM	5500 CUM
Drum Output Capacity	2.0 CUM	3.0 CUM	4.0 CUM
Max Drum Rotation Speed	0-22 RPM	0-20 RPM	0-20 RPM
Tyre Specification	12/75-18- 12 PR	12.5/80-18 -16 PR	16.0/70-20-14 PR
Net Vehicle Weight	5540 kg.	6980 kg.	8320 kg.
Loading Bucket Volume	375 Liters	450 Liters	650 Liters
Water Tank Capacity	400 Liters (200x2)	650 Liters (325x2)	1000 Liters (500 X 2)
Hydraulic Tank Capacity	90 Liters	110 Liters	110 Liters
Fuel Tank Capacity	70 Liters	100 Liters	100 Liters
Vehicle Speed	0-22 KMPH	0-25 KMPH	0-29 KMPH
Water Pump Capacity In LPM	300	300	450
Gradient	23°	23°	23°
4 Wheel Drive, Crab Steering	Yes	Yes	Yes

### Salient Features

1. Having 4 wheel drives for easy mobility at construction sites.
2. Hydrostatic transducer based accurate weighing system with printing facility having inbuilt printer.
3. Low operating and maintenance cost.
4. 24 x 7 after sales service support.
5. Compact and cost effective solution.
6. Shorter turning radius.

### Optional Features

Drum Swivelling Arrangement, Cold Start Kit  
 Additive Dosing Unit, Auto Water Cut Off  
 Rear View Camera, Telematics (GPS)



\* Technical details are subject to change w/o prior notice.



FINANCE  
SUPPORT



Head Office :- Plot No.-449, Dediyan G.I.D.C., Phase-II, Mehsana-384002.  
Email :- [marketing@venusindustries.net](mailto:marketing@venusindustries.net), [sales@venusindustries.net](mailto:sales@venusindustries.net)

Website :- [www.venusequipment.com](http://www.venusequipment.com), [www.venusindustries.net](http://www.venusindustries.net)  
Mobile No. :- +91 85111 89405, +91 99248 45550